

Navigation Protection Program (NPP)
820-800 Burrard Street
Vancouver BC
V6Z 2J8

APPROVAL

OWNER: BC Hydro and Power Authority
P.O. Box GEORGIA Street West
VANCOUVER British Columbia V6E 4M3
Canada

WORK(S): Bridge

SITE LOCATION: Located across Peace River, approximately at 56° 8' 30.84" N, 121° 36' 40.68" W, located on unsurveyed foreshore or land covered by water being part of the bed of the Peace River, East 1/4 Section 25, Township 82, Range 24, West of The 6th Meridian Peace River District, Hudson's Hope, in the Province of British Columbia.

As per the application (detailed above) to the Minister of Transport, submitted pursuant to the *Canadian Navigable Waters Act*, for an approval of the work per the attached six (6) plan(s), the Minister hereby approves the work pursuant to subsection 7(6) for the construction of the above mentioned work, in accordance with the following terms and conditions:

1. The CNWA Approval and its Terms and Conditions shall be posted at an easily accessible place at the worksite.
2. In the event that the operation of the above works is terminated, it will be the proponent's responsibility to remove the works and associated equipment in its entirety.
3. Install and maintain warning signs at locations approximately 100m upstream and downstream of Western Reservoir Crossing WR11c, and approximately 50 meters northeast of Western Reservoir Crossing WR7 and 100 meters southwest of Western Reservoir Crossing WR6a, advising of the work in progress. Signs shall be a minimum of 72"x 48", a white background with black lettering, with text as outlined below. Sign to be emplaced prior to and for the duration of construction.

WARNING NO ACCESS KEEP TO THE MAIN CHANNEL

4. During construction, the outermost extent of the work above the surface of the water shall be marked with orange Hi-visibility markers on the upstream and downstream corners.
5. During construction, the outermost extent of the work above the surface shall be marked with a flashing yellow light on the upstream and downstream sides. The lights are to be in operation in darkness or limited visibility.
6. Construction machinery left in the water during darkness or limited visibility shall be marked with a flashing yellow light, visible to upstream and downstream traffic.
7. Any construction equipment anchored or left in or on the waterway shall be marked with a yellow flashing light placed on the outermost extremity if left overnight.
8. During open water season the bridge spans shall be marked using a flashing yellow light facing upstream and downstream and operating during times of darkness and limited visibility.



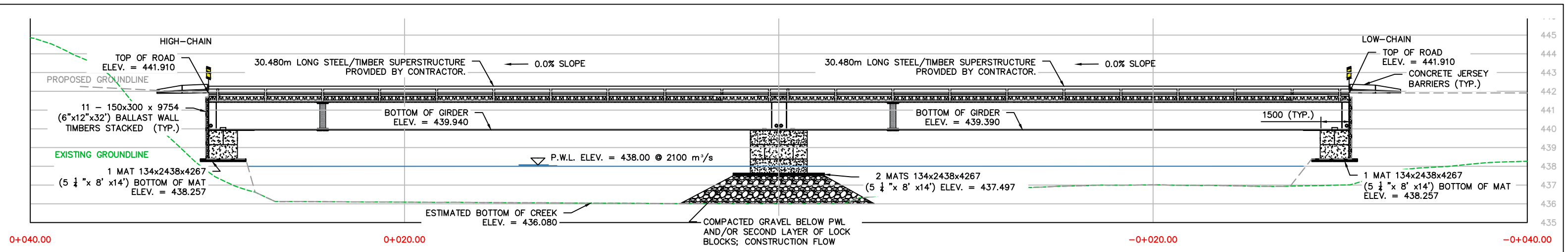
9. Upon completion of the associated vegetation clearing project, the works and associated equipment shall be completely removed without delay.
10. The owner shall conduct an Airborne LIDAR survey of the reservoir area post construction and clearing, but prior to the filling of the reservoir. This survey shall be the basis for mapping of the reservoir for boating.

SIGNED ON JULY 26, 2021
at the NPP regional office of Pacific

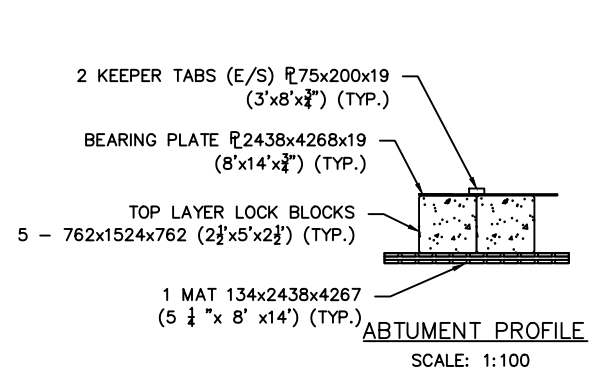
Leung
, Eric

Digitally signed by Leung, Eric
DN: C=CA, O=GC, OU=TC-TC,
CN="Leung, Eric"
Reason: I am the author of this
document
Location: your signing location
here
Date: 2021.07.26 07:48:
39-07'00'
Foxit PDF Editor Version: 11.0.0

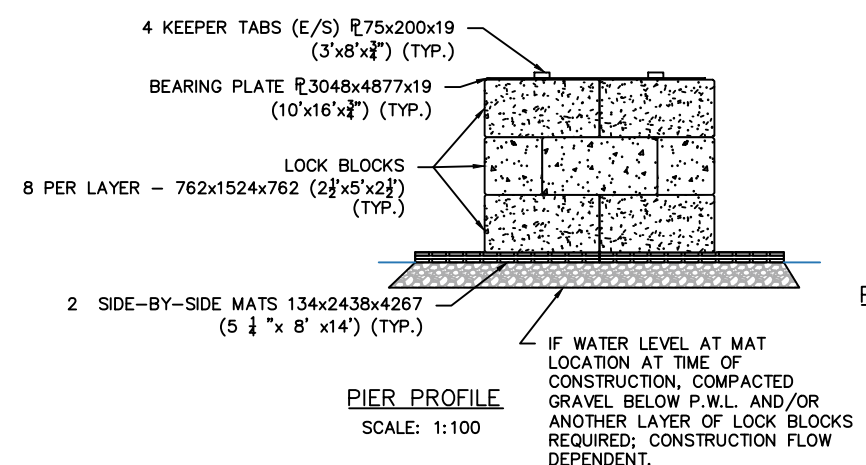
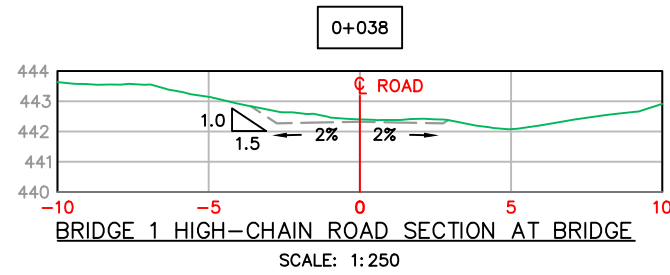
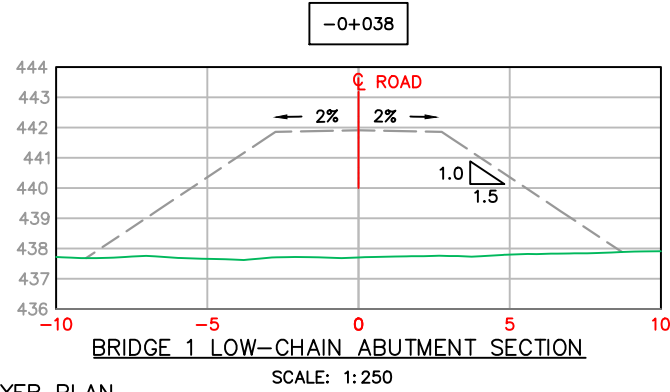
Eric Leung
NPP Officer
Programs Group
Transport Canada
Pacific Region
For the Minister of Transport



BRIDGE 1 PROFILE
SCALE: 1:200



ABUTMENT TOP LAYER PLAN
SCALE: 1:100



PIER MIDDLE LAYER PLAN
SCALE: 1:100

PIER BOTTOM/TOP LAYER PLAN
SCALE: 1:100

LEGEND

- CREEK
- ROAD
- ROAD ALIGNMENT
- RIPARIAN ROCK
- TREE LINE
- SECTION LINE

Reviewed/Examiné
 Date: 2021-07-16
 By/par:
ERIC LEUNG
2021-504113 6 of 6
Navigation Protection Program/
Programme de protection de la navigation

Trilogy Crossing Corp.
ENGINEERING, ENVIRONMENTAL, INSPECTION

OLTC 20 - WR6

BRIDGE 1 PROFILES AND SECTIONS

BC Hydro
Power smart

DESIGN	B.H.	DRAWN	E.K.	CHECKED	C.D.	FILE	TC-HY016/05
DATE	MAR.13, 2021	DATE	MAR.15, 2021	DATE	MAR.19, 2021	PLAN	TC-HY016

Sheet 05 of 05

LAST DATE REVISED: 19-Mar-2021 4:25 PM